



FUZE PENDANT HW™
User Manual

©2022 ELATION PROFESSIONAL all rights reserved. Information, specifications, diagrams, images, and instructions herein are subject to change without notice. ELATION PROFESSIONAL logo and identifying product names and numbers herein are trademarks of ELATION PROFESSIONAL. Copyright protection claimed includes all forms and matters of copyrightable materials and information now allowed by statutory or judicial law or hereinafter granted. Product names used in this document may be trademarks or registered trademarks of their respective companies and are hereby acknowledged. All non-ELATION brands and product names are trademarks or registered trademarks of their respective companies.

ELATION PROFESSIONAL and all affiliated companies hereby disclaim any and all liabilities for property, equipment, building, and electrical damages, injuries to any persons, and direct or indirect economic loss associated with the use or reliance of any information contained within this document, and/or as a result of the improper, unsafe, insufficient and negligent assembly, installation, rigging, and operation of this product.

Elation Professional USA | 6122 S. Eastern Ave. | Los Angeles, CA. 90040

323-582-3322 | 323-832-9142 fax | www.elationlighting.com | info@elationlighting.com

Elation Professional B.V. | Junostraat 2 | 6468 EW Kerkrade, The Netherlands

+31 45 546 85 66 | +31 45 546 85 96 fax | www.elationlighting.eu | info@elationlighting.eu

Elation Professional Mexico | AV Santa Ana 30 | Parque Industrial Lerma, Lerma, Mexico 52000

+52 (728) 282-7070

DOCUMENT VERSION



Due to additional product features and/or enhancements, an updated version of this document may be available online. Please scan the QR Code with your mobile device or visit www.elationlighting.com for the latest revision/update of this manual, before installation and/or programming.

Date	Document Version	Software Version \geq	DMX Channel Modes	Notes
7/5/2022	1.0	1.01A	1/4/5/10/10/17/4/9	Initial release.
12/21/2022	1.1	N/C	No Change	Updated Specifications

CONTENTS

General Information	4
Warranty Returns (USA Only)	5
Safety Guidelines	6
Maintenance Guidelines	8
Overview	9
Installation Guidelines	11
Lens Kit Installation	14
Yoke Bracket Kit	14
Snoot Kit Installation (Half and Full Snoot)	15
Ceiling Mount Kit	16
E-FLY Wireless DMX Set Up Guidelines	19
System Menu	20
Dimmer Modes	24
DMX Traits	25
No DMX	29
Color Temperature	29
Virtual Gel Swatch Book Table	30
Remote Device Management (RDM) Error Codes	31
Specifications	32
Optional Accessories	36

GENERAL INFORMATION

INTRODUCTION

Please read and understand the instructions in this manual carefully and thoroughly before attempting to operate this device. These instructions contain important safety and use information.

This product is intended for professional use only, not suitable for private use.

UNPACKING

Every device has been thoroughly tested and has been shipped in perfect operating condition. Carefully check the shipping carton for damage that may have occurred during shipping. If the carton is damaged, carefully inspect the device for damage, and be sure all accessories necessary to install and operate the device have arrived intact. In the event damage has been found or parts are missing, please contact our customer support team for further instructions. Please do not return this device to your dealer without first contacting customer support. Please do not discard the shipping carton in the trash. Please recycle whenever possible.

BOX CONTENTS

45° Lens

Pendant Bracket Kit

CUSTOMER SUPPORT

Contact ELATION Service for any product related service and support needs. Also visit forums.elationlighting.com with questions, comments or suggestions.

ELATION SERVICE USA - Monday - Friday 8:00am to 4:30pm PST
323-582-3322 | Fax 323-832-9142 | support@elationlighting.com

ELATION SERVICE EUROPE - Monday - Friday 08:30 to 17:00 CET
+31 45 546 85 63 | Fax +31 45 546 85 96 | support@elationlighting.eu

REPLACEMENT PARTS please visit parts.elationlighting.com

LIMITED WARRANTY (USA ONLY)

- A. Elation Professional hereby warrants, to the original purchaser, Elation Professional products to be free of manufacturing defects in material and workmanship for a period of two years (730 days), and Elation Professional product rechargeable batteries to be free of manufacturing defects in material and workmanship for a period of six months (180 days), from the original date of purchase. This warranty excludes discharge lamps and all product accessories. This warranty shall be valid only if the product is purchased within the United States of America, including possessions and territories. It is the owner's responsibility to establish the date and place of purchase by acceptable evidence, at the time service is sought.
- B. For warranty service, send the product only to the Elation Professional factory. All shipping charges must be pre-paid. If the requested repairs or service (including parts replacement) are within the terms of this warranty, Elation Professional will pay return shipping charges only to a designated point within the United States. If any product is sent, it must be shipped in its original package and packaging material. No accessories should be shipped with the product. If any accessories are shipped with the product, Elation Professional shall have no liability what so ever for loss and/or damage to any such accessories, nor for the safe return thereof.
- C. This warranty is void if the product serial number and/or labels are altered or removed; if the product is modified in any manner which Elation Professional concludes, after inspection, affects the reliability of the product; if the product has been repaired or serviced by anyone other than the Elation Professional factory unless prior written authorization was issued to purchaser by Elation Professional; if the product is damaged because not properly maintained as set forth in the product instructions, guidelines and/or user manual.
- D. This is not a service contract, and this warranty does not include any maintenance, cleaning or periodic check-up. During the periods as specified above, Elation Professional will replace defective parts at its expense, and will absorb all expenses for warranty service and repair labor by reason of defects in material or workmanship. The sole responsibility of Elation Professional under this warranty shall be limited to the repair of the product, or replacement thereof, including parts, at the sole discretion of Elation Professional. All products covered by this warranty were manufactured after January 1, 1990, and bare identifying marks to that effect.
- E. Elation Professional reserves the right to make changes in design and/or performance improvements upon its products without any obligation to include these changes in any products theretofore manufactured.
- F. No warranty, whether expressed or implied, is given or made with respect to any accessory supplied with the products described above. Except to the extent prohibited by applicable law, all implied warranties made by Elation Professional in connection with this product, including warranties of merchantability or fitness, are limited in duration to the warranty periods set forth above. And no warranties, whether expressed or implied, including warranties of merchantability or fitness, shall apply to this product after said periods have expired. The consumer's and/or dealer's sole remedy shall be such repair or replacement as is expressly provided above; and under no circumstances shall Elation Professional be liable for any loss and/or damage, direct and/or consequential, arising out of the use of, and/or the inability to use, this product.
- G. This warranty is the only written warranty applicable to Elation Professional products and supersedes all prior warranties and written descriptions of warranty terms and conditions heretofore published.

WARRANTY RETURNS

All returned service items whether under warranty or not, must be freight pre-paid and accompany a return authorization (R.A.) number. The R.A. number must be clearly written on the outside of the return package. A brief description of the problem as well as the R.A. number must also be written down on a piece of paper and included in the shipping container. If the unit is under warranty, you must provide a copy of your proof of purchase invoice. Items returned without a R.A. number clearly marked on the outside of the package will be refused and returned at customer's expense. You may obtain a R.A. number by contacting customer support.

SAFETY GUIDELINES

This fixture is a sophisticated piece of electronic equipment. To guarantee a smooth operation, it is important to follow all instructions and guidelines in this manual. Elation Professional is not responsible for injury and/or damages resulting from the misuse of this fixture due to the disregard of the information printed in this manual. Only qualified and/or certified personnel should perform installation of this fixture and only the original rigging and mounting hardware included with this fixture or available optional accessories should be used for installation. Any modifications to the fixture and/or the included and optional rigging and mounting hardware will void the original manufacturer's warranty and increase the risk of damage and/or personal injury.



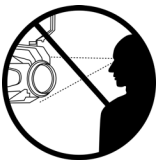
PROTECTION CLASS 1 - FIXTURE MUST BE PROPERLY GROUNDED



**THERE ARE NO USER SERVICEABLE PARTS INSIDE THIS UNIT.
DO NOT ATTEMPT ANY REPAIRS YOURSELF; DOING SO WILL VOID YOUR
MANUFACTURER'S WARRANTY. DAMAGES RESULTING FROM MODIFICATIONS TO THIS
FIXTURE AND/OR THE DISREGARD OF SAFETY INSTRUCTIONS AND GUIDELINES IN
THIS MANUAL VOID THE MANUFACTURER'S WARRANTY AND ARE NOT SUBJECT TO
ANY WARRANTY CLAIMS AND/OR REPAIRS.**



**DO NOT PLUG FIXTURE INTO A DIMMER PACK!
NEVER OPEN THIS FIXTURE WHILE IN USE!
UNPLUG POWER BEFORE SERVICING FIXTURE!
NEVER TOUCH FIXTURE DURING OPERATION, AS IT MAY BE HOT!
KEEP FLAMMABLE MATERIALS AWAY FROM FIXTURE!**



**NEVER LOOK DIRECTLY INTO THE LIGHT SOURCE!
RETINA INJURY RISK - MAY INDUCE BLINDNESS!
SENSITIVE PERSONS MAY SUFFER AN EPILEPTIC SHOCK!**



**INDOOR / DRY LOCATIONS USE ONLY!
DO NOT EXPOSE FIXTURE TO RAIN AND/OR MOISTURE!**



**MINIMUM DISTANCE TO OBJECTS/SURFACES
IS 1.0 FOOT (0.3 METER)
MINIMUM DISTANCE OF FLAMMABLE MATERIALS
FROM THE SURFACE IS 1.6 FEET (0.5 METER)
MAXIMUM AMBIENT OPERATING TEMPERATURE IS 113°F (45°C)**

SAFETY GUIDELINES

DO NOT TOUCH the fixture housing during operation.

DO NOT shake fixture and avoid brute force when installing and/or operating fixture.

DO NOT operate fixture if the power cord is frayed, crimped, damaged and/or if any of the power cord connectors are damaged or do not fit into the fixture securely with ease.

NEVER force a power cord connector into the fixture. If the power cord or any of its connectors are damaged, replace it immediately with a new one of similar power rating.

DO NOT block any air ventilation slots. All fan and air inlets must remain clean and never blocked.

Allow approx. 6" (15cm) between fixture and other devices or a wall for proper cooling.

TURN OFF the power and allow approximately 15 minutes for the fixture to cool down before serving.

ALWAYS disconnect fixture from power before performing any service and/or cleaning procedure.

ONLY handle power cord by the plug end, never pull plug out by tugging the wire portion of the cord.

During the initial operation of this fixture, a light smoke or smell may emit from the interior of the fixture. This is a normal process and is caused by excess paint in the interior of the casing burning off from the heat associated with the LED and will decrease gradually over time.

Consistent operational breaks will ensure fixture will function properly for many years.

ONLY use the original packaging and materials to transport the fixture for service.

MAINTENANCE GUIDELINES



DISCONNECT POWER BEFORE PERFORMING ANY MAINTENANCE!

CLEANING

Frequent cleaning is recommended to insure proper function, optimized light output, and an extended life. The frequency of cleaning depends on the environment in which the fixture operates: damp, smoky or particularly dirty environments can cause greater accumulation of dirt on the fixture's optics. Clean the external lens surface at least every 20 days with a soft cloth to avoid dirt/debris accumulation.

NEVER use alcohol, solvents, or ammonia-based cleaners.

MAINTENANCE

Regular inspections are recommended to insure proper function and extended life.

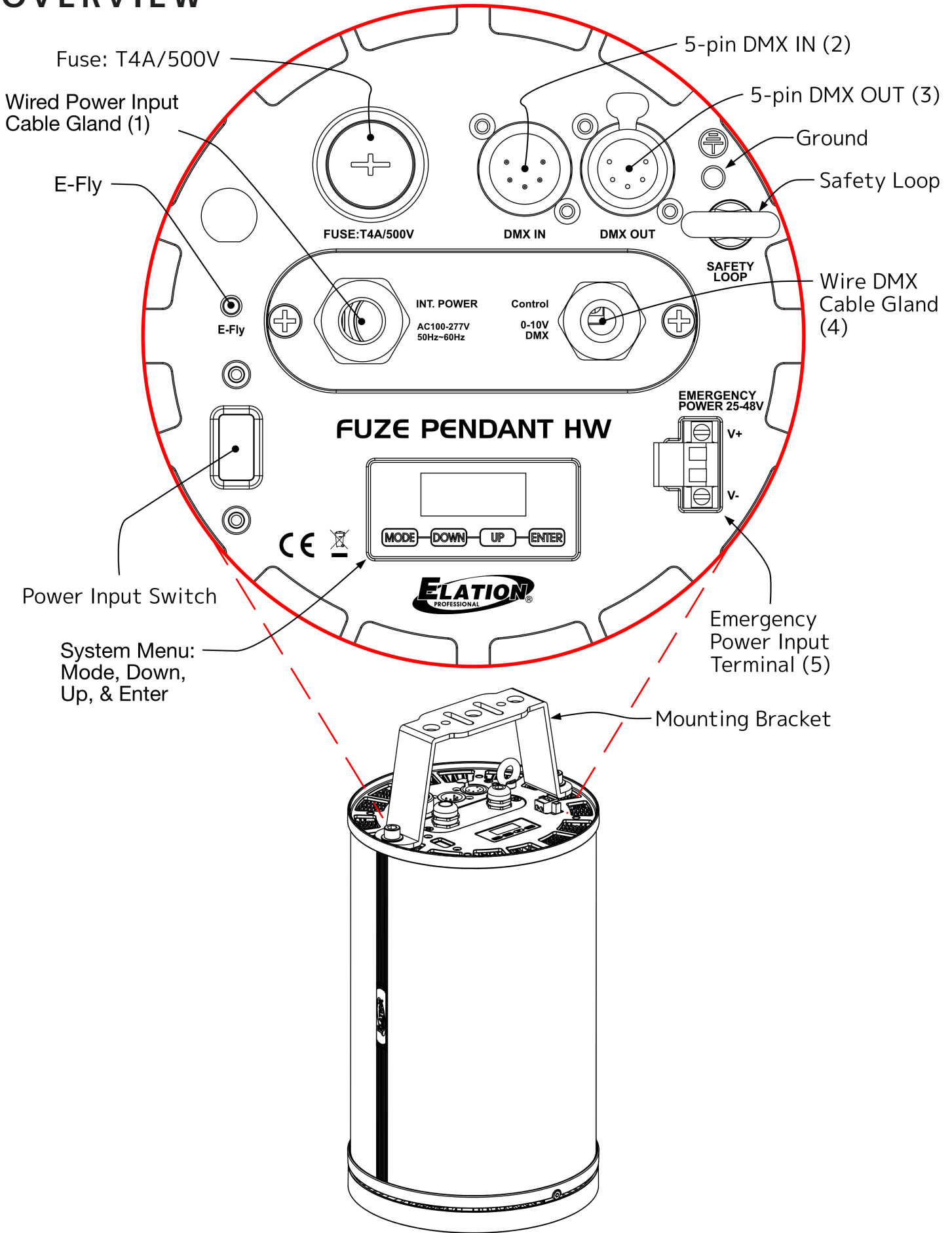
There are no user serviceable parts inside this fixture, please refer all other service issues to an authorized Elation service technician. Should you need any spare parts, please order genuine parts from your local Elation dealer.

Please refer to the following points during routine inspections:

- A detailed electric check by an approved electrical engineer every three months, to make sure the circuit contacts are in good condition and prevent overheating.
- Be sure all screws and fasteners are securely tightened. Loose screws may fall out during normal operation resulting in damage or injury as larger parts could fall.
- Check for any deformations on the housing, color lenses, rigging hardware and rigging points (ceiling, suspension, trussing). Deformations in the housing could allow for dust to enter into the fixture. Damaged rigging points or unsecured rigging could cause the fixture to fall and seriously injure a person(s).
- Electric power supply cables must not show any damage, material fatigue or sediments.

NEVER remove the ground prong from the power cable.

OVERVIEW



OVERVIEW

POWER CONNECTION

For permanent installations, a power line is wired to the fixture by connecting a line to the **wired power input cable gland (1)**. A wiring block is located directly behind this gland, with wire terminals for Live (L), Neutral (N), and Floating Ground (FG). This terminal block is accessed by removing the center plate in the connection panel.

Note: the power terminal block accepts 12-24 AWG (4.0 - 0.25mm²) wire.

DMX CONNECTIONS

DMX communication to and from the fixture may be provided by the **DMX 5-pin male XLR input (2)** and the **DMX 5-pin female XLR output (3)**. Alternately, a DMX line may be wired to the fixture by connecting the line to the **wired DMX cable gland (4)**. A wiring block is located directly behind this gland, with wire terminal for DMX +, DMX -, and DMX GND. This terminal block is accessed by removing the center plate in the connection panel. The terminal block also contains two additional terminals for 10V+ and 10V-, but these terminals are discussed in the following section.

0-10V / CONTACT CLOSURE CONNECTION

The terminal block that is used for the hard-wired DMX connections also includes terminals for 10V+ and 10V-. These two terminals may be used to connect the fixture to a current sink 0-10V dimmer to enable adjustment of lighting intensity, or they may be used to connect the fixture to a contact closure such as a wall switch or an emergency alarm panel.

Note: the DMX/0-10V terminal block accepts 24 AWG (0.25mm²) wire.

EMERGENCY POWER CONNECTION

The **emergency power input terminal (5)** can be connected to a 25-48V DC power source to provide emergency lighting in the event of loss of AC power. The DC power source should be rated for 15W or 20W to provide sufficient power for the fixture to operate for a minimum of 90 minutes. Please note that neither color nor light output will be adjustable when the fixture is operating in this mode, as the fixture has been optimized for maximum runtime at the required light levels.

Note: the emergency power terminal block accepts 24 AWG (0.25 mm²) wire.

Please note that it is the responsibility of the user to determine the system design, wiring, and illumination levels required by law for emergency lighting systems in the locality in which the system will be operating. Emergency lighting must comply with all applicable national, state, and local standards.

INSTALLATION GUIDELINES



FLAMMABLE MATERIAL WARNING

Keep fixture minimum 5.0 feet (1.5m) away from flammable materials and/or pyrotechnics.



ELECTRICAL CONNECTIONS

A qualified electrician should be used for all electrical connections and/or installations.



MINIMUM DISTANCE TO OBJECTS/SURFACES IS 1 FOOT (0.3 METERS)



MINIMUM DISTANCE OF FLAMMABLE MATERIALS FROM THE SURFACE IS 1.6 FEET (0.5 METER)



MAXIMUM AMBIENT TEMPERATURE 113° F (45°C)



DO NOT INSTALL THE FIXTURE IF YOU ARE NOT QUALIFIED TO DO SO!

Fixture **MUST** be installed following all local, national, and country commercial electrical and construction codes and regulations.

Before rigging/mounting a single fixture or multiple fixtures to any metal truss/structure or placing the fixture(s) on any surface, a professional equipment installer **MUST** be consulted to determine if the metal truss/structure or surface is properly certified to safely hold the combined weight of the fixture(s), clamps, cables, and accessories.

Overhead rigging requires extensive experience, including amongst others calculating working load limits, installation material being used, and periodic safety inspection of all installation material and the fixture. If you lack these qualifications, do not attempt the installation yourself. Improper installation can result in bodily injury.

Fixture(s) should be installed in areas outside walking paths, seating areas, or away from areas where unauthorized personnel might reach the fixture by hand.

NEVER stand directly below the fixture(s) when rigging, removing or servicing.

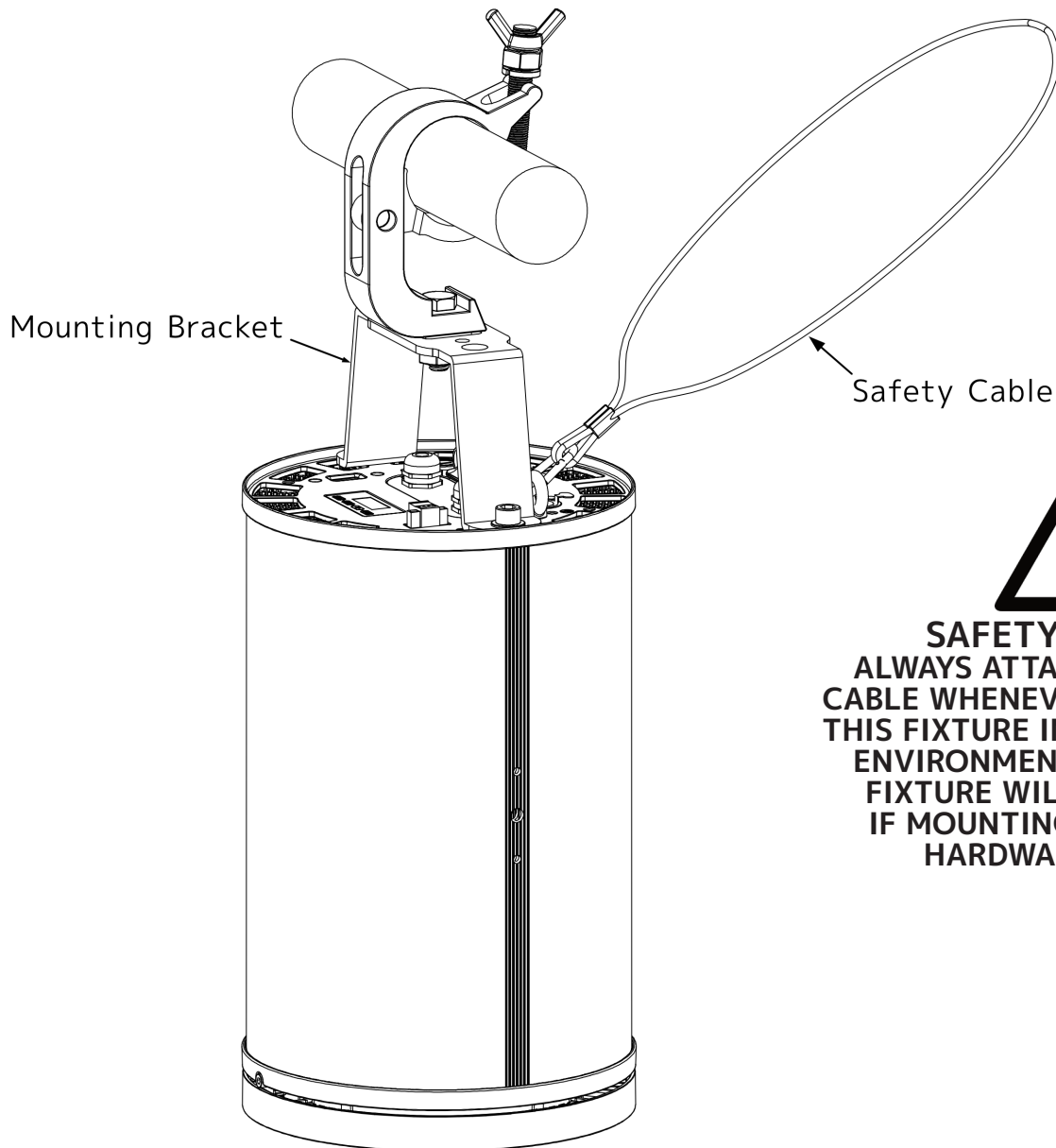
Overhead fixture installation must always be secured with a secondary safety attachment, such as an appropriately rated safety cable.

Allow approximately 15 minutes for the fixture to cool down before serving.

INSTALLATION GUIDELINES

CLAMP INSTALLATION (NOT INCLUDED)

When mounting fixture to truss, be sure to secure an appropriately rated professional grade rigging clamp to the included Pendant Bracket or the optional Yoke Bracket using an M10 screw fitted through the center hole. The fixture provides a built-in rigging point for a SAFETY CABLE. Be sure to only use one of the designated rigging points for the safety cable and never secure a safety cable to the Pendant or Yoke Brackets.



SAFETY CABLE
ALWAYS ATTACH A SAFETY
CABLE WHENEVER INSTALLING
THIS FIXTURE IN A SUSPENDED
ENVIRONMENT TO ENSURE
FIXTURE WILL NOT DROP
IF MOUNTING / RIGGING
HARDWARE FAILS

RIGGING

Overhead rigging requires extensive experience, including amongst others calculating working load limits, installation material being used, and periodic safety inspection of all installation material and the fixture. If you lack these qualifications, do not attempt the installation yourself. Improper installation can result in bodily injury. Fixture is fully operational in the specific mounting positions illustrated below.

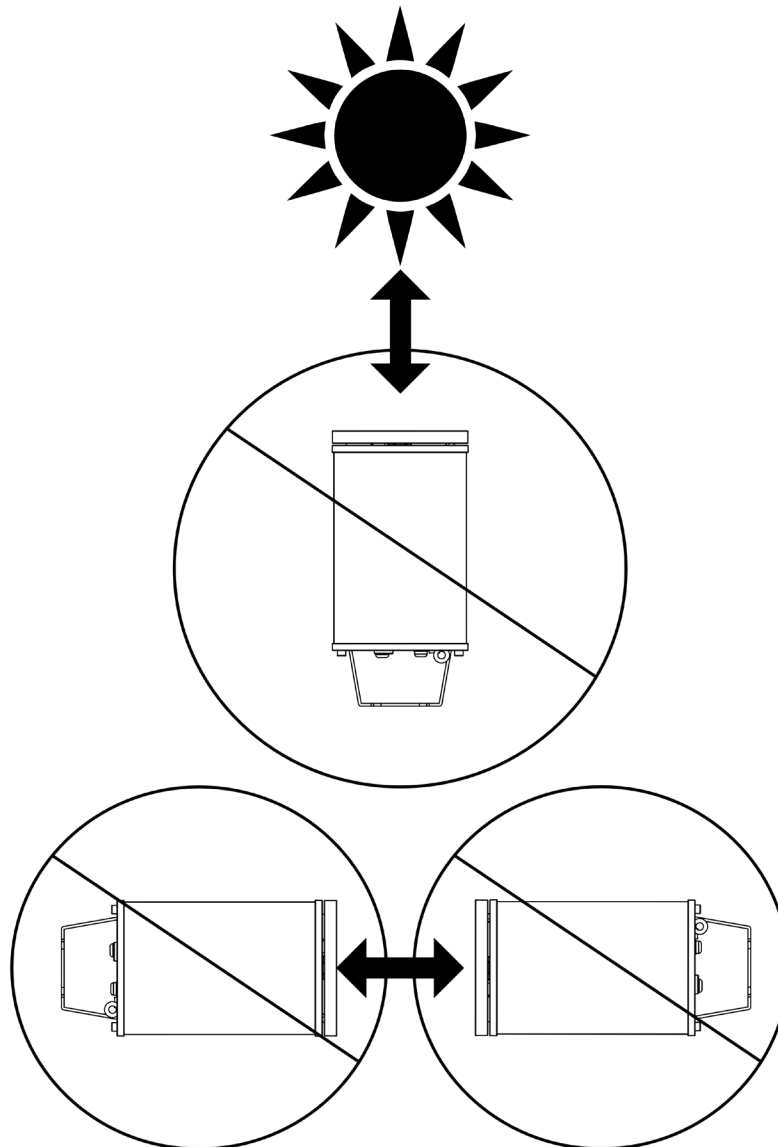
INSTALLATION GUIDELINES

POTENTIAL INTERNAL FIXTURE DAMAGE FROM EXTERNAL SOURCES OF LIGHT BEAMS

External sources of light beams from direct sunlight, lighting moving head fixtures, and lasers, which are focused directly towards the exterior housing and/or penetrate the front lens opening of ELATION lighting fixtures, can cause severe internal damage including burning to optics, dichroic color filters, glass and metal gobos, prisms, animation wheels, frost filters, iris, shutters, motors, belts, wiring, discharge lamps, and LEDs.

This issue is not specific only to ELATION lighting fixtures, it is a common issue with lighting fixtures from all manufacturers. Although there is no true way to fully prevent this issue from happening, the guidelines below can prevent any potential damage from occurring if followed. Contact ELATION Service for more details.

DO NOT EXPOSE THE FIXTURE AND/OR FRONT LENS OPENING TO LIGHT BEAMS FROM DIRECT SUNLIGHT, OTHER LIGHTING MOVING HEAD FIXTURES, AND LASERS WHILE UNPACKING, INSTALLATION, USE, AND EXTENDED IDLE TIMES OUTDOORS. DO NOT FOCUS A LIGHT BEAM FROM ONE LIGHTING FIXTURE DIRECTLY TOWARDS ANOTHER.



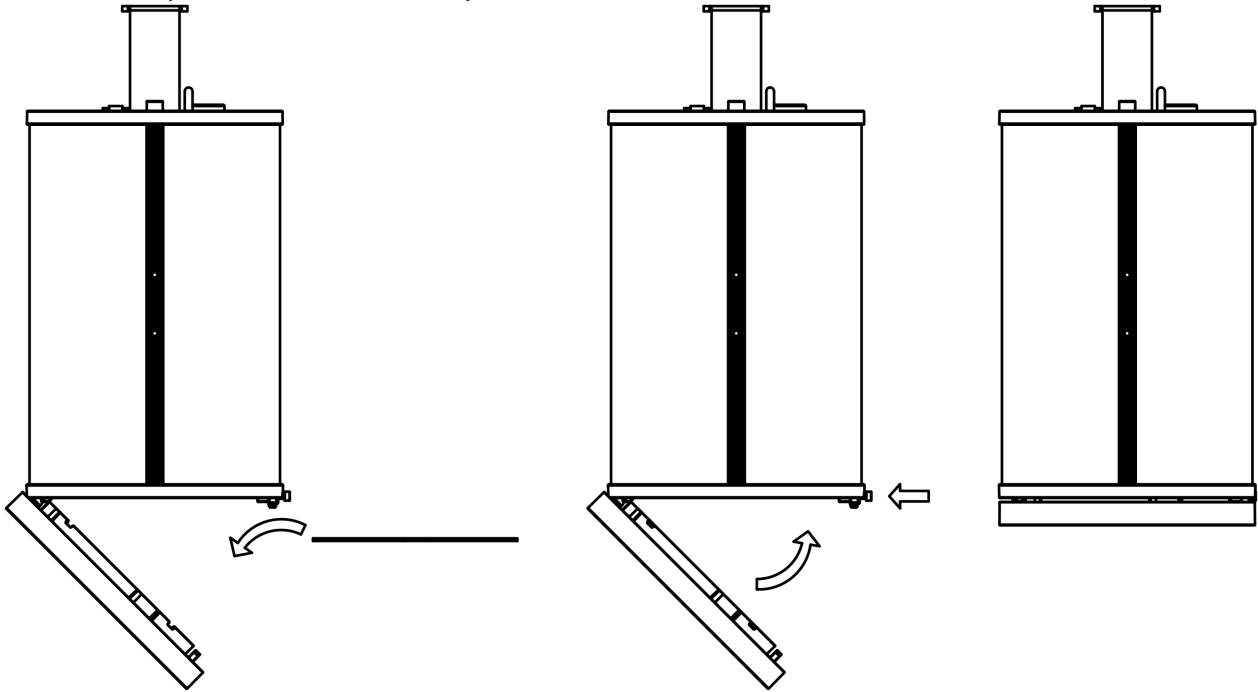
INSTALLATION GUIDELINES: ACCESSORIES



PLACE FIXTURE ON A STABLE SURFACE AND LET COOL FOR 15 MINUTES!
DO NOT OVER TIGHTEN SCREWS! DO NOT USE A POWER SCREWDRIVER!

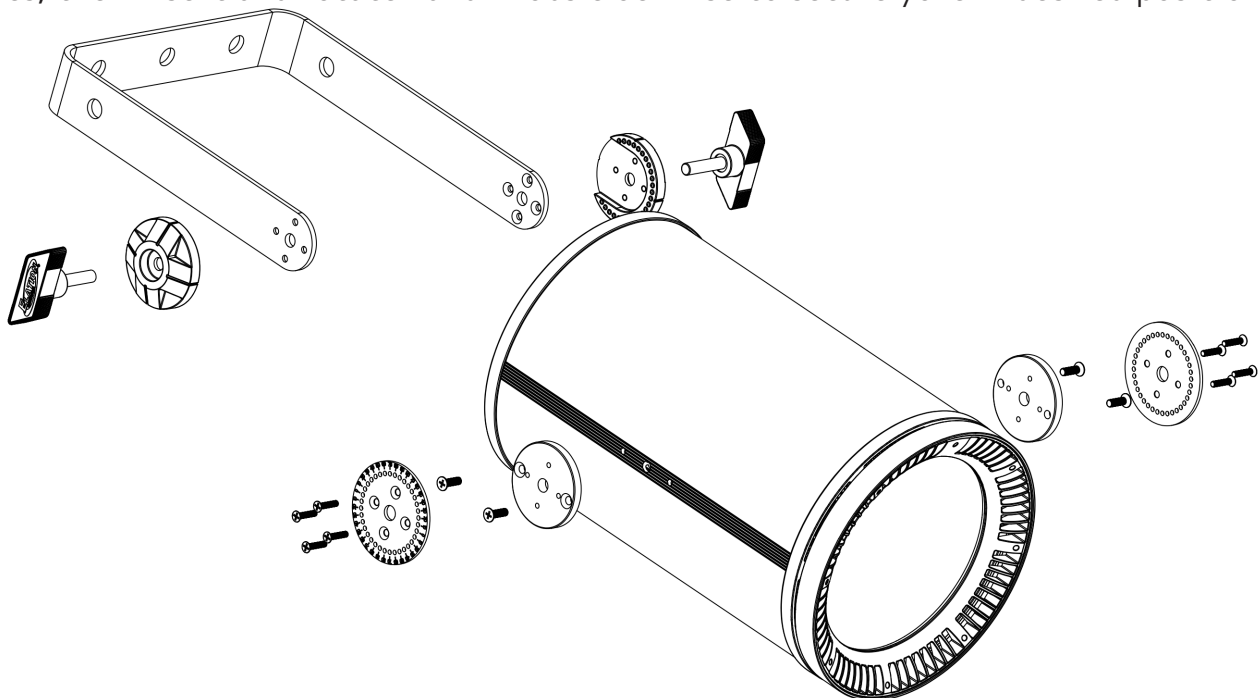
LENS KIT

1. Loosen screw on the side of lens bezel to open/release, as shown in the image on the left.
2. Carefully install lens in place, as shown in the image on the right.
3. Check lens is positioned correctly in the fixture then close/secure lens bezel.



YOKE BRACKET KIT

1. Attach yoke spacer disc (x2) to fixture with (x2) screws each.
2. Attach yoke inner mounting disc (x2) to the yoke spacer discs with (x4) screws each.
3. Align yoke, yoke outer mounting disc (x2), and hand knob (x2) over the yoke inner mounting discs, then insert and rotate hand knobs clockwise to secure yoke in desired position.

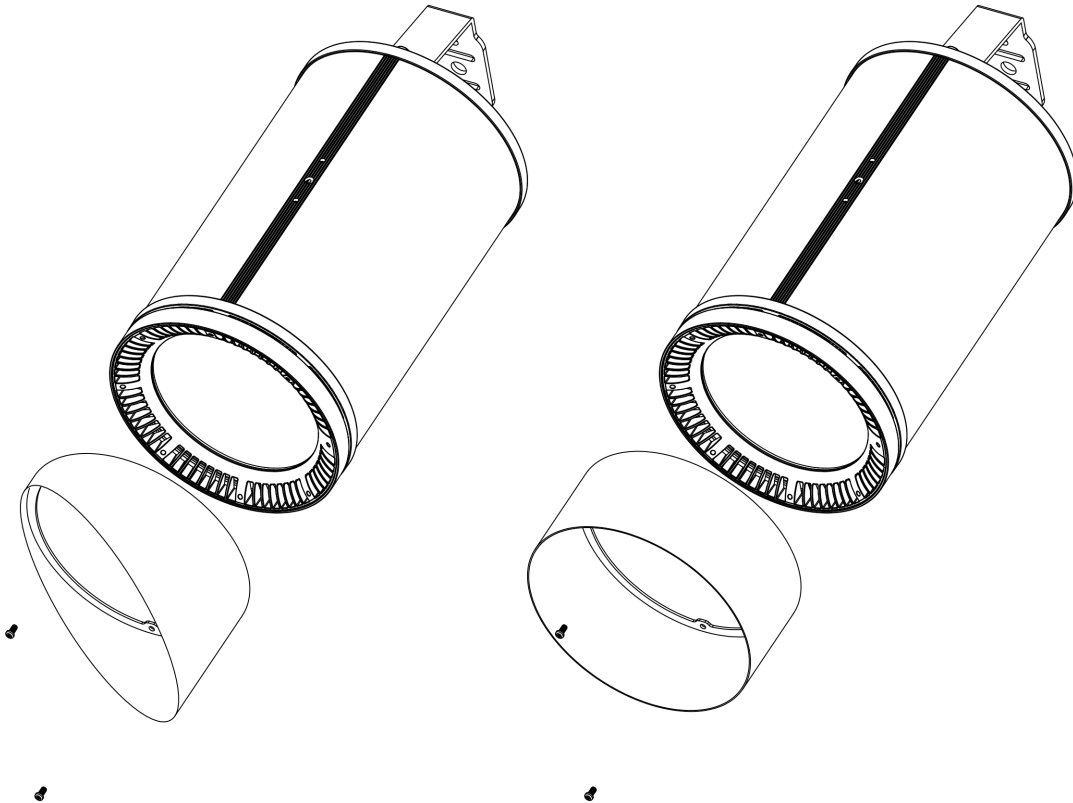


INSTALLATION GUIDELINES: ACCESSORIES

PLACE FIXTURE ON A STABLE SURFACE AND LET COOL FOR 15 MINUTES!
DO NOT OVER TIGHTEN SCREWS! DO NOT USE A POWER SCREWDRIVER!

HALF AND FULL SNOOT KIT

1. Attach snoot to the fixture lens bezel and secure in place with (x2) screws.



INSTALLATION GUIDELINES: CEILING MOUNT KIT

CEILING MOUNT KIT – SAFETY WARNINGS

The evaluation of a suitable installation surface such as wood, drywall or other materials is the responsibility of the installer, architect, engineer or other skilled person involved in the mounting and securing of the fixture.

The Fuze Pendant HW itself has a weight of **15.8lbs (7.2 kg)**, which the installation surface must be able to support securely. If in any doubt regarding the suitability of the surface, all weight must be carried by the hanging bracket, with the ceiling mount kit only utilized as a visual trim kit for a clean installation. The ceiling kit / trim ring can be installed with or without the provided body support plates.

The Fuze Pendant HW and ceiling kit are NOT plenum rated.

The Fuze Pendant HW must ALWAYS be secured by a secondary safety cable from its included safety eyelet to an independent structural element. Such elements can be ceiling joists, concrete ceilings and other structural systems which can secure the fixture in case of failure of the mounting surface to carry the Fuze Pendant HW securely.

Failure to provide the secondary safety can lead to serious injury or death.

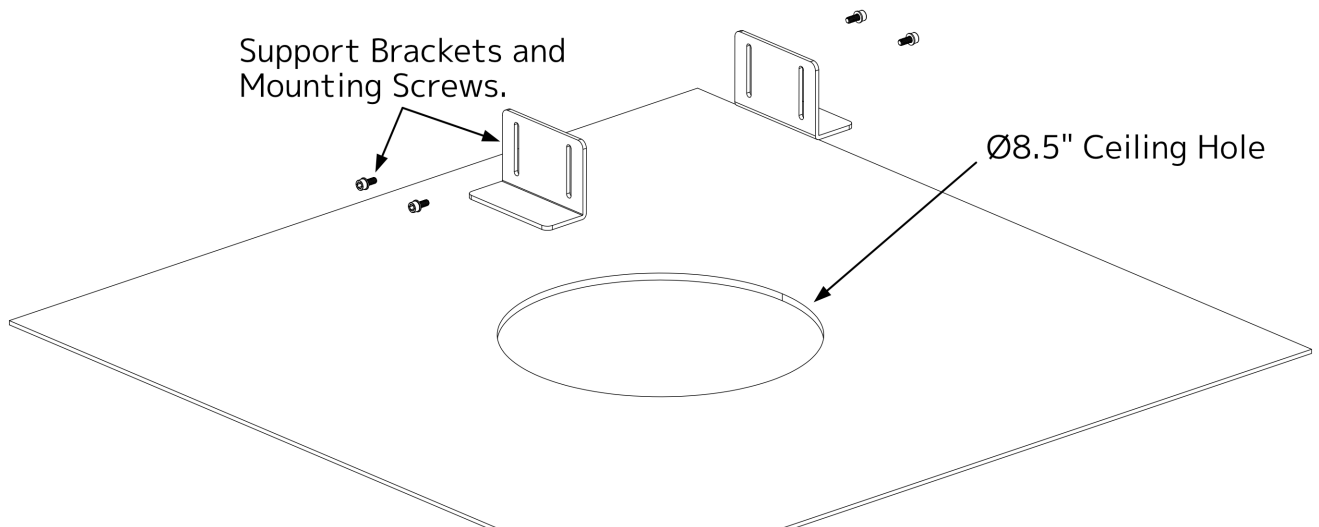
The secure installation of the Fuze Pendant HW is always the responsibility of the customer, as the evaluation of surfaces and installation methods is beyond the scope of Elation Professional to predict. A structural engineer should be consulted for all overhead installations of fixtures to provide calculations and approval for weights, primary and safety attachment points and suitability of surfaces and appropriate fastening methods.

Secure and structurally safe installation approved by an engineer is imperative for mounting the Fuze Pendant HW into recessed ceilings.

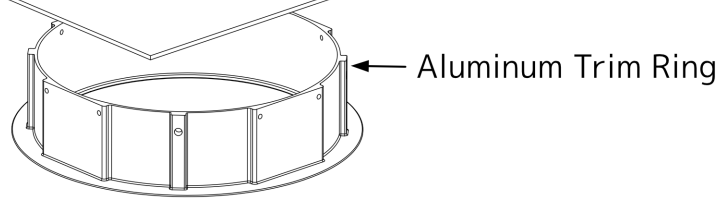
Elation Professional is not responsible for the installation methods and choices of installation surfaces.

Improper installation, unsuitable surfaces and failure to secure a secondary safety cable can lead to serious injury or death.

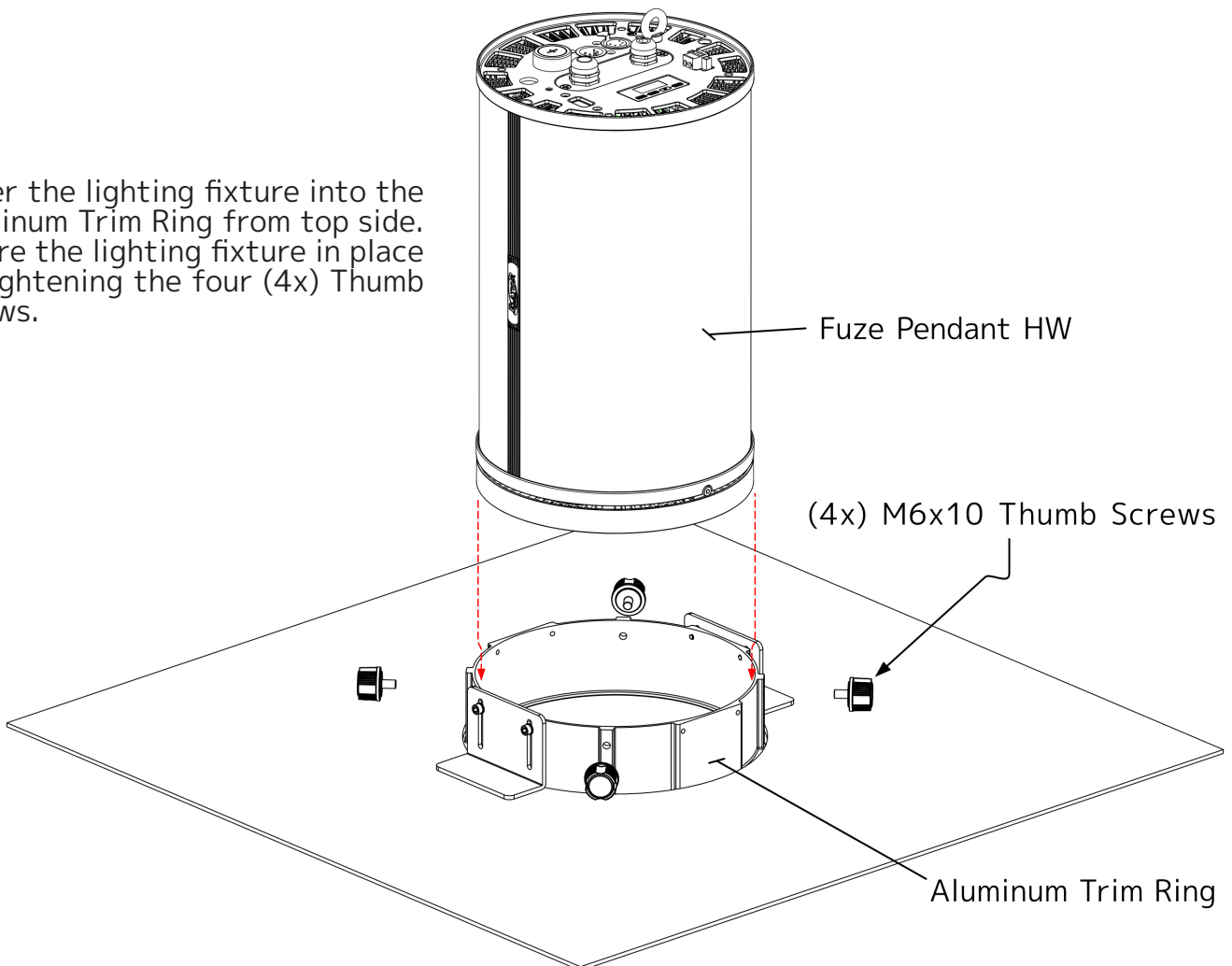
INSTALLATION GUIDELINES: CEILING MOUNT KIT



1. Open an $\varnothing 8.5$ -inch hole in the desired ceiling panel. Insert Aluminum Trim Ring through the hole from the bottom side of the panel, then secure the trim ring in place with the included screws, washers, and support brackets.

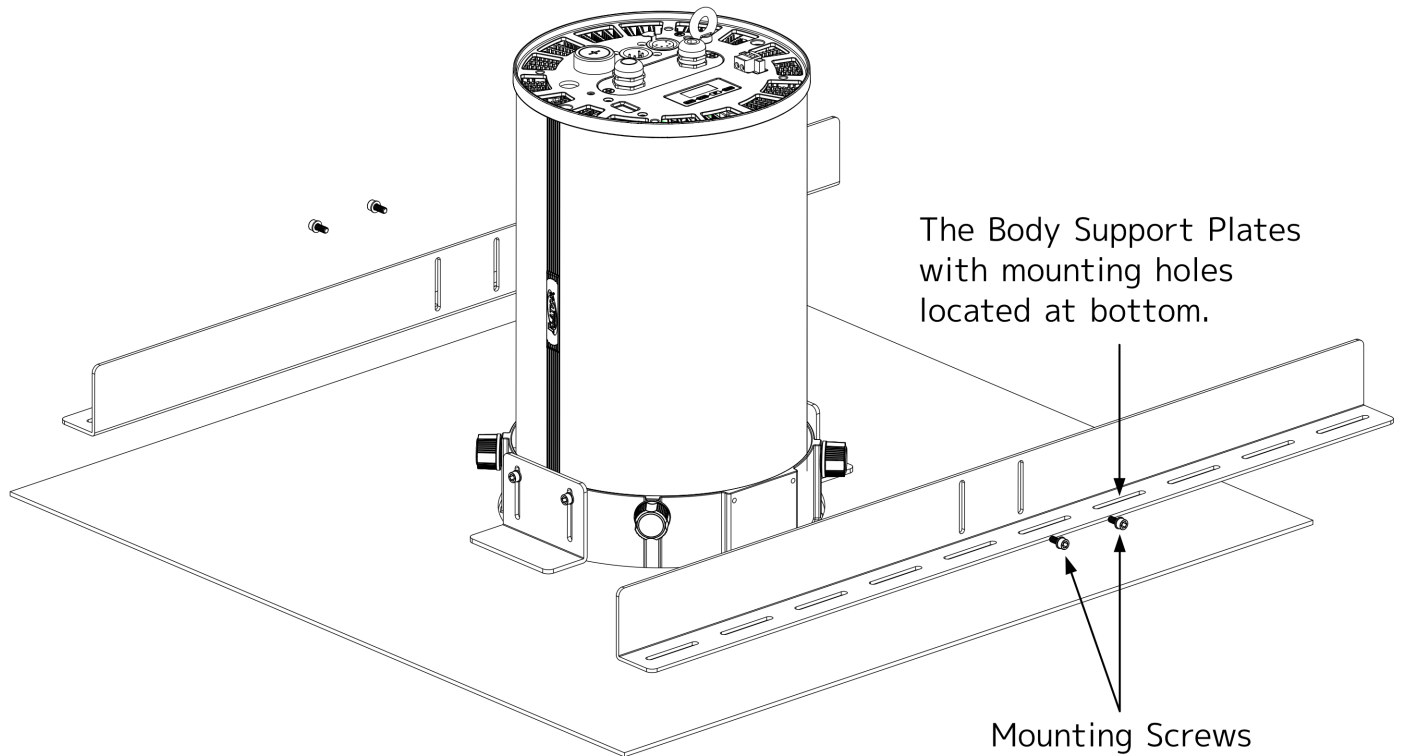


2. Lower the lighting fixture into the Aluminum Trim Ring from top side. Secure the lighting fixture in place by tightening the four (4x) Thumb Screws.

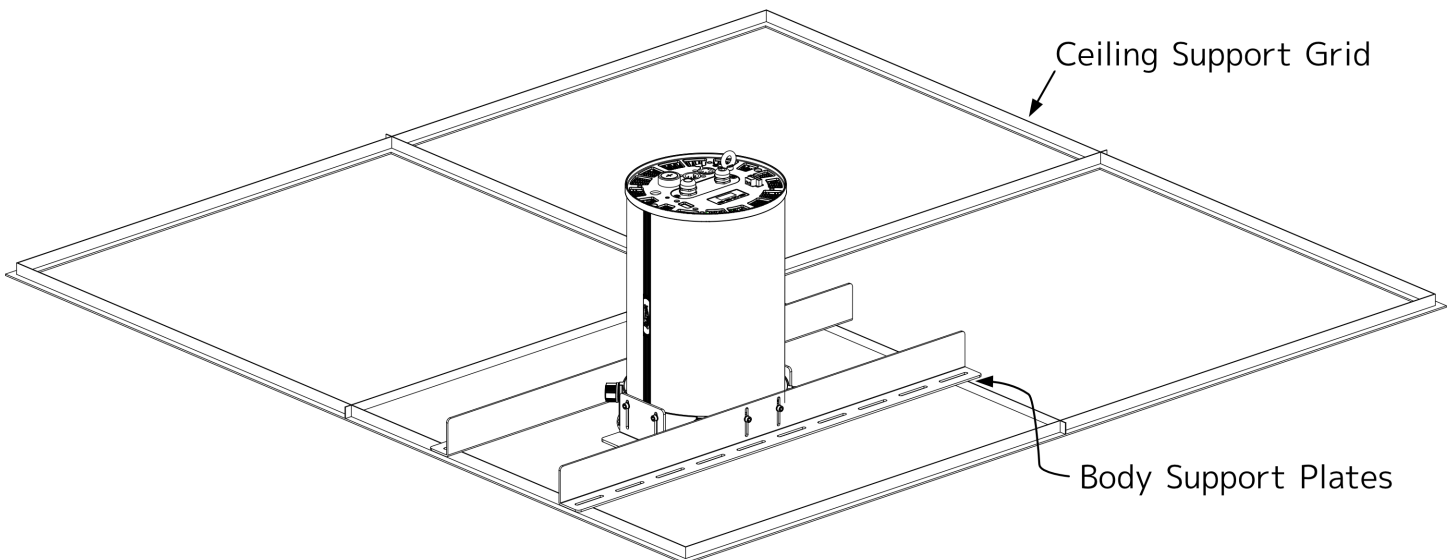


INSTALLATION GUIDELINES: CEILING MOUNT KIT

3. Attach Body Support Plates to Aluminum Trim Ring using the included screws and washers.



4. Install the entire assembly back into the ceiling at the desired location, making sure that the ends of the Body Support Plates are resting firmly on the Ceiling Support Grid. Secure the Body Support Plates in place using the appropriate hardware.



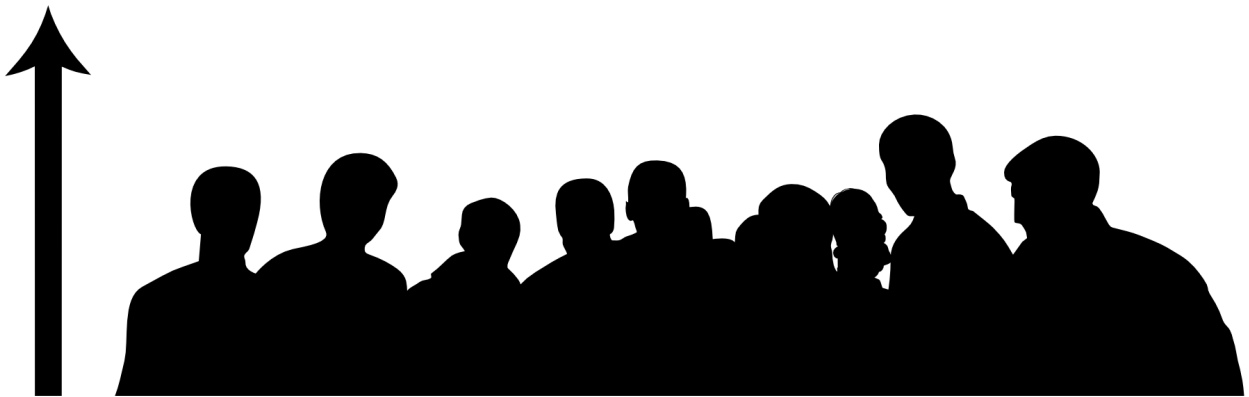
E-FLY WIRELESS SET UP GUIDELINES

There are many factors that affect and/or interrupt a wireless signal such as walls, glass, metal, objects, and people. Therefore, it is highly recommended to:

- Install devices a minimum of 9.8 ft. (3m) above audiences and/or ground level
- Adjust the wireless antenna in a vertical upright position
- Position devices in direct line of sight of the controlling E-FLY device

Careful planning and testing of the selected installation location is critical to ensure optimum and reliable wireless operation.

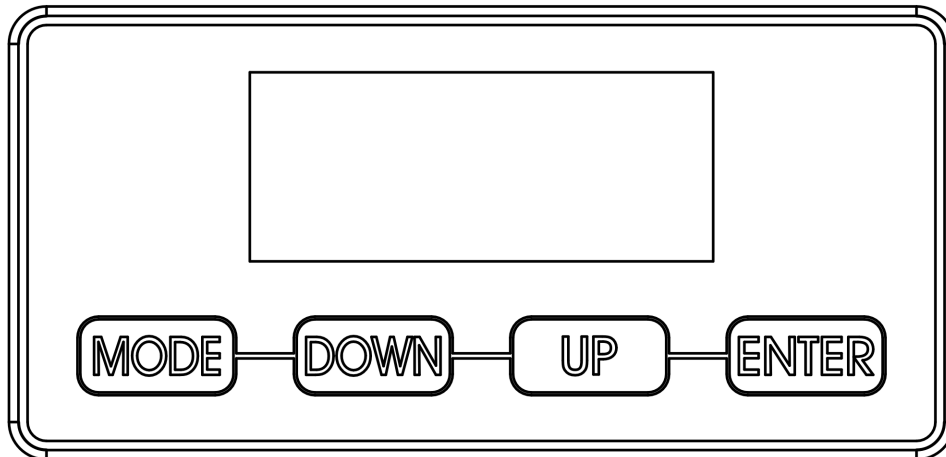
**9.8 ft (3m)
Above Ground**



SYSTEM MENU

The fixture includes an easy to navigate system menu. The OLED control panel display located at the top of the fixture (see image below), provides access to the main system menu where all necessary system adjustments are made to the fixture. During normal operation, pressing the **MODE** button once will access the fixture's main menu. Once in the main menu you can navigate through the different functions and access the sub-menus with the **DOWN** and **UP** buttons. Once you reach a field that requires adjusting, press the **ENTER** button to activate that field and use the **DOWN** and **UP** buttons to adjust the field. Pressing the **ENTER** button once more will confirm the setting. Exit the main menu at any time without making any adjustments by pressing the **MODE** button.

To access the system menu, press and hold the **MODE** button for 3 seconds. The OLED display will shut **OFF** automatically approximately 1 minute from the last button press.



Note: An Elation C-Loader II can be used to update fixture software. Contact Elation Service for more information @ 323-582-3322 | Fax 323-832-9142 | support@elationlighting.com

SYSTEM MENU

Features subject to change without notice				
MAIN MENU	SUB MENU	OPTIONS / VALUES (Default Settings in BOLD)	DESCRIPTION	
DMX Settings	DMX Address	001 - 512		
	DMX Channel Mode	Dimmer 1CH		
		Dimmer Color 4CH		
		RGBWL 5CH		
		RGBWL 16bit 10CH		
		Standard 10CH		
		Extended 17CH		
		HSI 4CH		
	No DMX Status	Hold Last		See No DMX sheet
		Fade to black		
Standalone				
Priority	0-10v			
	DMX		Priority DMX	
Standalone	Dimmer	000%- 100%	Master dimmer	
	Color Temperature	2400-8500K (default 2700K)	color temperature	
	Virtual Color	Swatch Book		Pls Static sheet (1-53 color)
		Color Scroll		CW, speed 01-22
		Color C-Scroll		CCW, speed 01-22
		Random Slots: Fast /Medium/Slow		
	Fade Time	0-60s (10s)		(NO DMX fadetime)
	0-10V Contact	ON / OFF		Using 10V switch (after this function is activated, dimmer function is bypassed)
Alarm Contact	ON / OFF		When a short circuit occurs, turn on standalone color	
Personality	Primary	ON / OFF		
	Secondary	ON / OFF		
	Dim Modes	Standard, Stage, TV, Architectural, Theatre, Stage 2		
		Dim Speed 0.0s-10s		
	Dim Curves	Linear, Square, Square Inverse, S-Curve		
	E-Fly Settings	Set EFly channel 00 ~14		
		Enable E-Fly YES / NO		
	LED Refresh Rate	900~1500, 2500, 4000, 5000, 6000, 10KHz, 20KHz, 25KHz, (1200Hz)		
	LED Power Limit	50, 60, 70, 80, 90, 100%		
	Display	Screen Saver Delay 1 -10		
		Screen Lock OFF - 10 Minutes (30s)		
		Rotate Display 180° YES / NO		
	Service	Calibration	Red 000-255	
Green 000-255				
Blue 000-255				
White 000-255				
Lime 000-255				
	Factory Restore YES / NO			
	Edit RDM UID xxxxxx			
Manual Control	Red	000 -255		
	Green	000 -255		
	Blue	000 -255		
	White	000 -255		
	Lime	000 -255		
	Dimmer	000 -255		
	Dimmer Fine	000 -255		
	Strobe	000 -255		

SYSTEM MENU

Features subject to change without notice			
MAIN MENU	SUB MENU	OPTIONS / VALUES (Default Settings in BOLD)	DESCRIPTION
Information	Fixture Life Time	Power On Time xxxxxx Hours	Total hours fixture has been powered ON. Cannot be reset.
	Fixtrue Last Run Time	Power On TimAbleRes xxxxxx Hours	Display current # hours fixture has been powered ON since it was last reset. Can be reset.
		Power On Time Reset	Allows Power On Time to be reset. Should be passcode protected. Passcode= 038
	Total Lamp Hours	xxxxxx Hours	Total lamp hours. Cannot be reset.
	Fixture Temp	Current xxx F / xxx C	Displays Temperature
		Max Resetable xxx F / xxx C	Allows max. resettable reset.
		Max Not Resettable xxx F / xxx C	Max. Not Resettable temperature cannot be reset
		LastMaxTempReset	Last max temperature reset. Password= 038
	DMX Values	Dimmer xxx	DMX values
		Strobe xxx	
		xxx	
	Product IDs	RDM UID	UID number
	Error Logs	Fixture Errors	Error code (Temp Error, 0-10V Error)
		Reset Error Log YES / NO	Password= 050
Software Version	V1.01A		

SYSTEM MENU - DMX SETTINGS

DMX ADDRESS

This function allows the user to define the DMX address of the fixture. This value is displayed as "AXXX" where XXX represents a 3-digit numerical values from 001 – 512.

DMX CHANNEL MODE

This function allows the user to define the DMX channel mode in which the fixture will operate. See the DMX Channel Functions section for full details on which functions are included in each DMX channel mode.

NO DMX STATUS

This function allows the user to define the behavior of the fixture if that DMX signal is lost. The user may select from one of the following options:

- **Hold Last:** The fixture adheres to the color and intensity settings that were in use immediately before DMX communication was lost, and continues to do so until DMX communication is re-established or a power cycle occurs. Please note that this mode is the fixture's default setting.
- **Fade to Black:** The fixture fades to 0% intensity in the time span dictated by the **Standalone Fade Time** setting. Please refer to the **SYSTEM MENU – STANDALONE** section for details.
- **Standalone:** The fixture reverts to the Color Temperature and Virtual Color settings defined in the Standalone menu, in a time span dictated by the Standalone Fade Time setting. Please refer to the **SYSTEM MENU – STANDALONE** section for details.
- **0-10V:** The fixture reverts to the Color Temperature and Virtual Color settings defined in the Standalone menu, with the output intensity dictated by the 0-10V input.

PRIORITY

This function allows the user to select whether the DMX signal or the 0-10V voltage level determines the intensity of the light output.

SYSTEM MENU - STANDALONE

The Standalone System Menu allows the user to define how the fixture will behave when operating without DMX control. Color settings located in this menu also define the fixture output when operating in 1-Channel DMX Mode.

DIMMER

This function is used to set the light output intensity of the fixture, from 0% to 100% of maximum output level.

COLOR TEMPERATURE

This function is used to set the color temperature, and ranges from 2400 to 8500 K in intervals of 100 K.

VIRTUAL COLOR

This function is used to select from a range of predefined color settings shown in the **Virtual Gel Swatch Book** table on page 30.

- **Swatch Book:** Select a single display color from the table.
- **Color Scroll:** Scrolls through all the colors in forward order of the Value listed in the **Virtual Gel Swatch Book** table shown on page 30. Scroll speed is adjustable from 0 → 22 (slowest to fastest).
- **Color C-Scroll:** Scrolls through all the colors in reverse order of the Value listed in the **Virtual Gel Swatch Book** table shown on page 30. Scroll speed is adjustable from 0 → 22 (slowest to fastest).
- **Random Slots:** Scrolls through all the colors shown on the **Virtual Gel Swatch Book** table shown on page 30 in random order. Scroll speed can be set to Fast, Medium, or Slow.

FADE TIME

This function is used to define the time span in which the fixture transitions to the output color and intensity that have been selected in the Color Temperature and Virtual Color settings, ensuring a smooth transition between operation in DMX mode and Standalone mode. Available Fade Time options range from 0 seconds to 60 seconds, in 1-second intervals. The default setting for this fixture is 10 seconds.

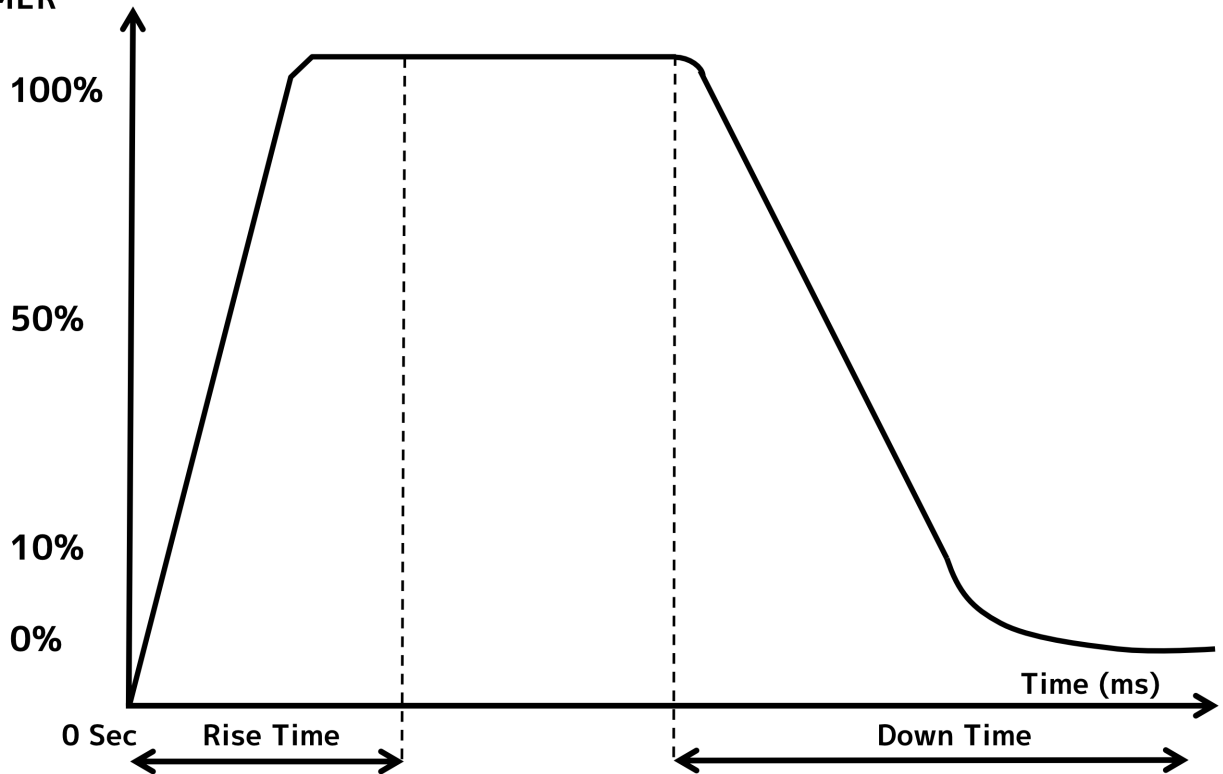
0-10V CONTACT / ALARM CONTACT

These functions control the way that the fixture interprets the signal from the 0-10V connector. The **0-10V CONTACT** setting is used to enable or disable the fixture's ability to use the 0-10V input to determine the intensity of light output. Please note that if this feature is enabled, the fixture will adhere to the settings selected in the **Color Temperature** and **Virtual Color** functions of the Standalone System Menu.

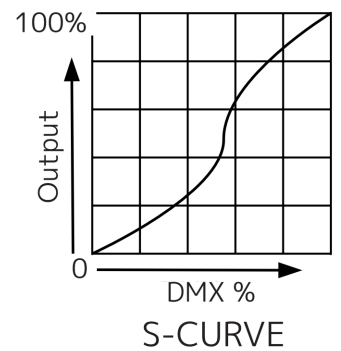
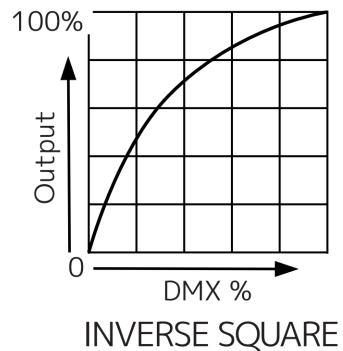
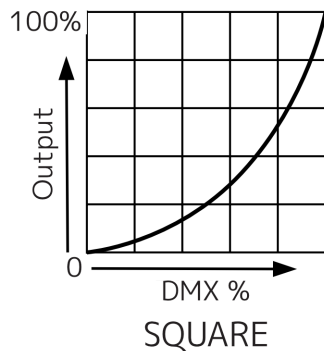
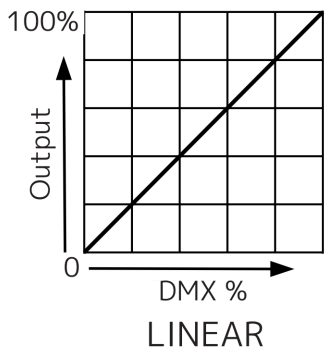
Alternately, the **ALARM CONTACT** setting is used to enable or disable the fixture's ability to activate Standalone mode when input is received from the 0-10V connector. DMX control will simultaneously be disabled when the fixture enters this mode. Common uses for this feature include emergency lighting applications or a master power switch for repair and maintenance purposes.

DIMMER MODES

DIMMER



Dimming Curve Ramp Effect	0 sec Fade Time		1 sec Fade Time	
	Rise Time (ms)	Down Time (ms)	Rise Time (ms)	Down Time (ms)
Standard (default)	0	0	0	0
Stage	780	1100	1540	1660
TV	1180	1520	1860	1940
Architectural	1380	1730	2040	2120
Theatre	1580	1940	2230	2280



DMX TRAITS: CHANNEL FUNCTIONS AND VALUES

Supports Software Versions: ≥ V1.01A

Dimmer 1CH	Color 4CH	RGBWL 5CH	16bit 10CH	Standard 10CH	Extended 17CH	HSI 4CH	HSI 9CH	DMX Value	Function
									strobe
								0-31	Closed
								32- 63	Open
				1	1		1	64-95	Strobe (slow → fast)
								96-127	Open
								129-159	Pulse (slow → fast)
								160-191	Open
								192-223	Random (slow → fast)
								224-255	Open
						1	2	0-255	Intensity 0 → 100%
						2	3	0-255	Intensity Fine 0 → 100%
1	1			2	2			0-255	Dimmer 0 → 100%
	2			3	3			0-255	Dimmer Fine 0 → 100%
						3	4	0-255	Hue
						4	5	0-255	Saturation
		1	1	4	4			0-255	Red 0 → 100%
			2		5			0-255	Red Fine 0 → 100%
		2	3	5	6			0-255	Green 0 → 100%
			4		7			0-255	Green Fine 0 → 100%
		3	5	6	8			0-255	Blue 0 → 100%
			6		9			0-255	Blue Fine 0 → 100%
		4	7		10			0-255	White 0 → 100%
			8		11			0-255	White Fine 0 → 100%
		5	9		12			0-255	Lime 0 → 100%
			10		13			0-255	Lime Fine 0 → 100%
									CTO
	3			7	14		6	0-23	Open
								24-85	CTO 2400K - 8500K (see Color Temperature Table)
								86-255	8500K
									Color Wheel
								0	Open
								1-179	Virtual Swatch Book (see Virtual Gel Swatch Table)
									Color Scroll
								180-201	Clockwise, fast → slow
								202-207	Stop
								208-229	Counter-clockwise slow → fast
								230-234	Open
									Random Slots
								235-239	Fast
								240-244	Medium
								245-249	Slow
								250-255	Open

DMX TRAITS: CHANNEL FUNCTIONS AND VALUES

Supports Software Versions: ≥ V1.01A

Dimmer 1CH	Color 4CH	RGBWL 5CH	16bit 10CH	Standard 10CH	Extended 17CH	HSI 4CH	HSI 9CH	DMX Value	Function
									Dim Modes
								0-20	Standard
								21-40	Stage
								41-60	TV
								61-80	Architectural
								81-100	Theatre
								101-120	Stage 2
									Dimmer Delay Time
								121	0s
								122	0.1s
								123	0.2s
								124	0.3s
								125	0.4s
								126	0.5s
								127	0.6s
				9	16		8	128	0.7s
								129	0.8s
								130	0.9s
								131	1.0s
								132	1.5s
								133	2.0s
								134	3.0s
								135	4.0s
								136	5.0s
								137	6.0s
								138	7.0s
								139	8.0s
								140	9.0s
								141	10s
								142-255	Idle

DMX TRAITS: CHANNEL FUNCTIONS AND VALUES

Supports Software Versions: ≥ V1.01A

Dimmer 1CH	Color 4CH	RGBWL 5CH	16bit 10CH	Standard 10CH	Extended 17CH	HSI 4CH	HSI 9CH	DMX Value	Function
									Control
								0-99	Idle
									Change Refresh Rate (Hz) (Hold 1s)
								100	900
								101	910
								102	920
								103	930
								104	940
								105	950
								106	960
								107	970
								108	980
								109	990
								110	1000
								111	1010
								112	1020
								113	1030
								114	1040
								115	1050
								116	1060
				10	17		9	117	1070
								118	1080
								119	1090
								120	1100
								121	1110
								122	1120
								123	1130
								124	1140
								125	1150
								126	1160
								127	1170
								128	1180
								129	1190
								130	1200
								131	1210
								132	1220
								133	1230
								134	1240
								135	1250
								136	1260
								137	1270
								138	1280
								139	1290

DMX TRAITS: CHANNEL FUNCTIONS AND VALUES

Supports Software Versions: ≥ V1.01A

Dimmer 1CH	Color 4CH	RGBWL 5CH	16bit 10CH	Standard 10CH	Extended 17CH	HSI 4CH	HSI 9CH	DMX Value	Function
								140	1300
								141	1310
								142	1320
								143	1330
								144	1340
								145	1350
								146	1360
								147	1370
								148	1380
								149	1390
								150	1400
								151	1410
								152	1420
								153	1430
								154	1440
								155	1450
								156	1460
								157	1470
								158	1480
								159	1490
								160	1500
								161	2500
								162	4000
				10	17		9	163	5000
								164	6000
								165	10000
								166	15000
								167	20000
								168	25000
								169-200	Idle
								201-210	Dimmer Curve Linear (default)
								211-220	Dimmer Curve Square
								221-230	Dimmer Curve Inverse Square
								231-240	Dimmer Curve S-Curve
								241	Internal program 1 (Scene 1-8)
								242	Internal program 2 (Scene 9-16)
								243	Internal program 3 (Scene 17-24)
								244	Internal program 4 (Scene 25-32)
								245	Internal program 5 (Scene 33-40)
								246	Internal program 6 (Scene 41-48)
								247	Internal program 7 (Scene 49-56)
								248-255	Idle

DMX TRAITS: NO DMX

NO DMX Status NO DMX	Fixture is powered on without DMX	Fixture is powered on with DMX	DMX Traffic stops	DMX Traffic Starts
Hold Last	Fixture is black until DMX traffic arrives	Use DMX values	Stay on last DMX Values	Use DMX values
Standalone (menu setting fadetime)	Fade into Standalone Settings	Use DMX values	Fade into Standalone Settings	Fade into DMX values
Fade to black	Fixture is black until DMX traffic arrives	Fade into DMX values in 10-seconds	Fade to black in 10 seconds	Fade into DMX values in 10 seconds
0-10V (menu setting fadetime)	Use 0-10V dimmer level, Standalone Color Settings	Use DMX values	Use 0-10V dimmer level, Standalone Color settings	Use DMX values

DMX TRAITS: COLOR TEMPERATURE

DMX VALUE	COLOR TEMPERATURE (K)	DMX VALUE	COLOR TEMPERATURE (K)
24	2400	55	5500
25	2500	56	5600
26	2600	57	5700
27	2700	58	5800
28	2800	59	5900
29	2900	60	6000
30	3000	61	6100
31	3100	62	6200
32	3200	63	6300
33	3300	64	6400
34	3400	65	6500
35	3500	66	6600
36	3600	67	6700
37	3700	68	6800
38	3800	69	6900
39	3900	70	7000
40	4000	71	7100
41	4100	72	7200
42	4200	73	7300
43	4300	74	7400
44	4400	75	7500
45	4500	76	7600
46	4600	77	7700
47	4700	78	7800
48	4800	79	7900
49	4900	80	8000
50	5000	81	8100
51	5100	82	8200
52	5200	83	8300
53	5300	84	8400
54	5400	85	8500

VIRTUAL GEL SWATCH BOOK COLOR

VALUE	FILTER #	COLOR	VALUE	FILTER #	COLOR
1	7	pale yellow	31	126	Mauve
2	103	straw	32	49	Medium Purple
3	151	gold tint	33	58	Lavender
4	100	spring yellow	34	199	Palace Blue
5	10	medium yellow	35	119	Dark Blue
6	101	yellow	36	132	Medium Blue
7	104	deep amber	37	120	Deep Blue
8	15	deep straw	38	165	Daylight Blue
9	179	loving amber	39	161	Slate Blue
10	21	gold amber	40	118	Light Blue
11	105	orange	41	68	Sky Blue
12	158	deep orange	42	143	Pale Navy Blue
13	22	dark amber	43	131	Marine Blue
14	778	millennium gold	44	115	Peacock Blue
15	135	deep golden amber	45	172	Lagoon Blue
16	24	scarlet	46	116	Medium Blue Green
17	106	primary red	47	90	Dark Yellow Green
18	26	bright red	48	139	Primary Green
19	27	medium red	49	122	Fern Green
20	19	fire	50	89	Moss Green
21	157	pink	51	124	Dark Green
22	36	medium pink	52	88	Lime Green
23	111	dark pink	53	138	Pale Green
24	128	bright pink	54	203	Quarter CT Blue
25	148	bright rose	55	202	Half CT Blue
26	332	special rose pink	56	201	FULL CT Blue
27	793	vanity fair	57	200	Double CT Blue
28	113	Magenta	58	206	Quarter CT Orange
29	46	Dark Magenta	59	205	Half CT Orange
30	48	Rose Purple	60	204	FULL CT Orange

REMOTE DEVICE MANAGEMENT (RDM)

NOTE: In order for RDM to work properly, RDM enabled equipment must be used throughout the entire system, including DMX data splitters and wireless systems.

Remote Device Management (RDM) is a protocol that sits on top of the DMX512 data standard for lighting, allowing the DMX systems of the device to be managed, modified, and monitored remotely (hence, remote device management). This protocol is ideal for fixtures installed in locations that are not easily accessible.

With RDM, the DMX512 system becomes bi-directional, allowing a compatible RDM enabled controller to send out a signal to devices on the wire, as well as allowing the fixture to respond (known as a GET command). The controller can then use it's SET command to modify settings that would typically have to be changed or viewed directly via the unit's display screen, including the DMX Address, DMX Channel Mode, and Temperature Sensors.

FIXTURE RDM INFORMATION:

RDM Code	Device ID	Device Model ID	Personality ID
22A6	000A	0979	001 DIMER 01CH 002 DIMER COLOR 04CH 003 RGBWL 05CH 004 RGBWL 16BIT 10CH 005 STANDARD 10CH 006 EXTENDED 17CH 007 HSI 04CH 008 HSI EXTENDED 09CH

Please be aware that not all RDM devices support all RDM features, and therefore it is important to check beforehand to ensure that the equipment that you are considering includes all of the features that you require.

The following parameters are accessible in RDM on this device:

Sensor Definition
Sensor Value
Device Model Description
Manufacturer Label
Device Label
DMX Personality
DMX Personality Description
Device Hours

ERROR CODES

Error Codes subject to change without notice	
ERROR CODES	DESCRIPTION
Temp Error	These messages will appear if there is a temperature and/or voltage malfunction.
0-10V Error	

SPECIFICATIONS

SOURCE

230W 5-in-1 RGBWL (Red, Green, Blue, White, Lime) LED Array
50,000 Hour Average LED Life*

*Test lab conditions. May vary depending on several factors including but not limited to: Environmental Conditions, Power/Voltage, Usage Patterns (On-Off Cycling), Control, and Dimming.

PHOTOMETRIC DATA

11,000 Total Lumen Fixture Output
CRI 90 @ 3,200K
45° Lens Included

EFFECTS

Color Temperature Control 2,400K - 8,500K
Virtual Color Swatch Book
Dimmer, Dimmer Color, RGBWL, RGBWL 16-Bit, Standard, Extended, HSI & HSI Extended Control Options
Variable 16-bit Dimming Curves
High Speed Electronic Shutter and Strobe
DMX and Menu adjustable LED Refresh Rate Frequency

CONTROL / CONNECTIONS

8 DMX Channel Modes
Standalone and Primary, Secondary Modes
RDM (Remote Device Management)
0-10V Dimming (Current-Sink)
E-FLY™ Internal Extended Range Wireless DMX Transceiver
4 Button Control Panel and OLED Menu Display
Locking 5pin XLR Connector In/Out
5m Power cable preinstalled, 12-24AWG (4.0 - 0.25mm²)
5pin Wire Terminal Block for 0-10V, DMX (24AWG / 0.25 mm²)
2pin Wire Terminal Block for 48V Emergency Battery Input (24AWG / 0.25mm²)

SIZE / WEIGHT

Length: 12.5" (318mm)
Diameter: 7.8" (197mm)
Weight: 15.8lbs. (7.2 kg)

ELECTRICAL / THERMAL

AC 100-277V - 50/60Hz
Max Power Consumption 230W
14°F to 113°F (-10°C to 45°C)

APPROVALS / RATINGS

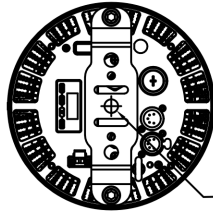
CE | cETLus | IP20

OPTIONAL ACCESSORIES:

FPL25- 25° Lens
FPL40- 40° Lens
FPL50- 50° Lens
FPL100- 100° Lens
FPCMK- Ceiling Mount Kit
FPYMK- Yoke Mount Kit
FPHS- Half Snoot
FPFS- Full Snoot

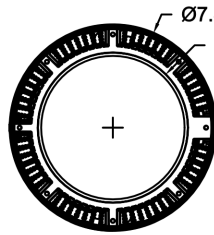
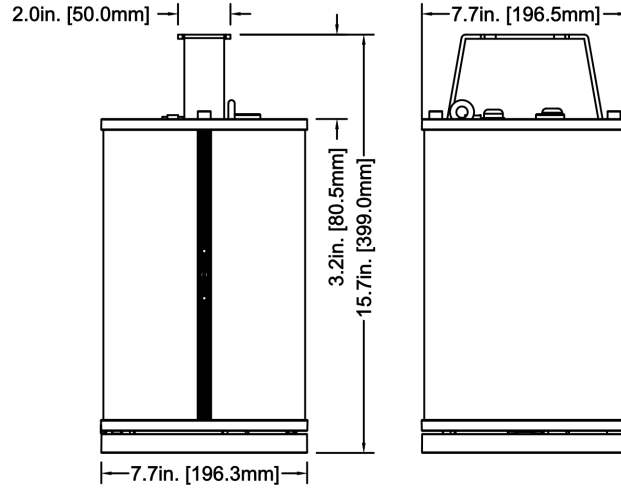
Specifications and documentation subject to change without notice.

DIMENSIONS



Fuze Pendant HW

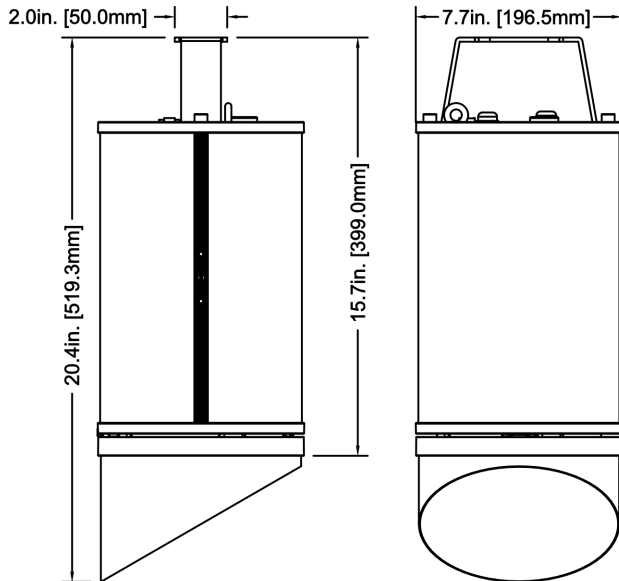
Ø0.5in. [Ø13.0mm]



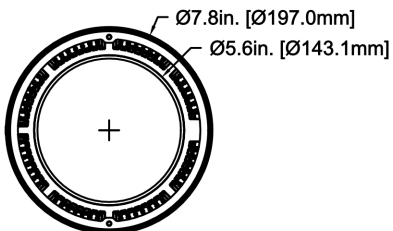
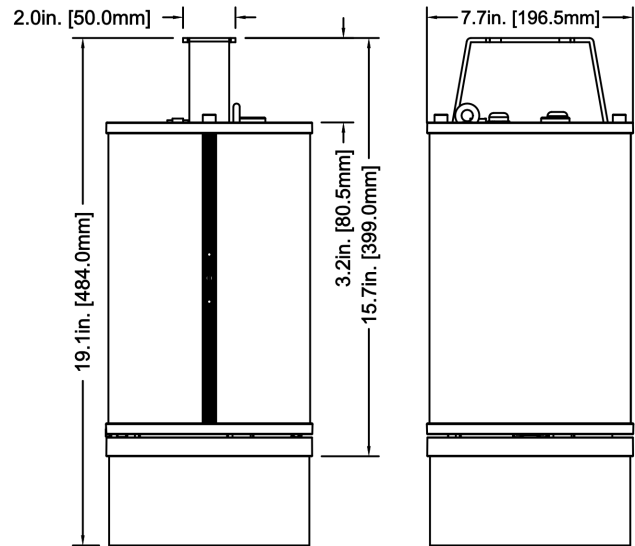
Ø7.8in. [Ø197.0mm]

Ø5.6in. [Ø143.1mm]

Full Spill Ring

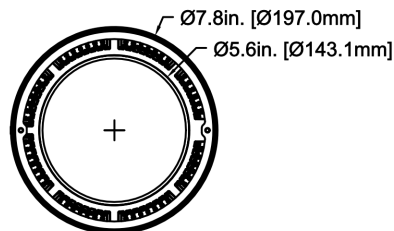


Half Spill Ring



Ø7.8in. [Ø197.0mm]

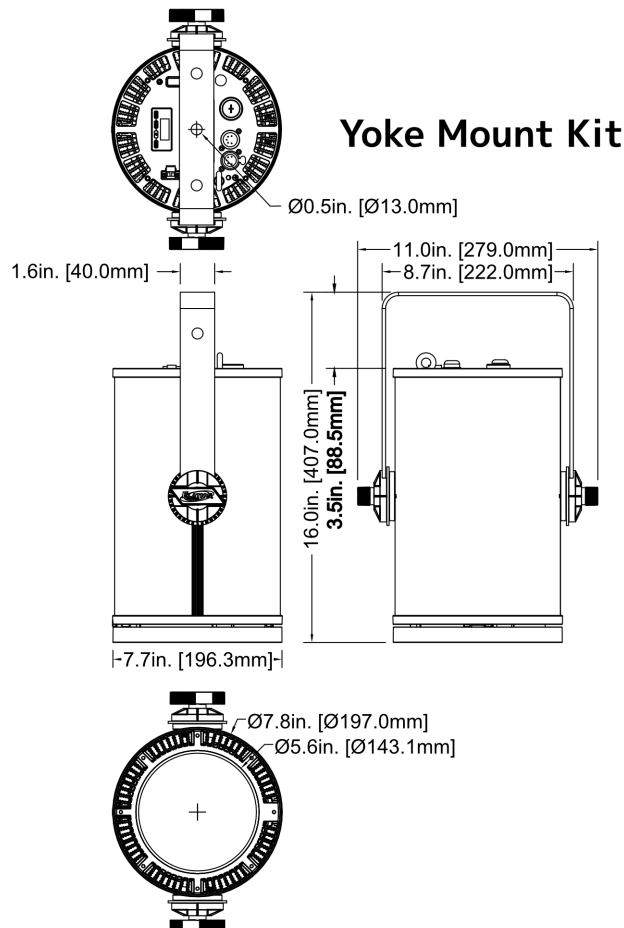
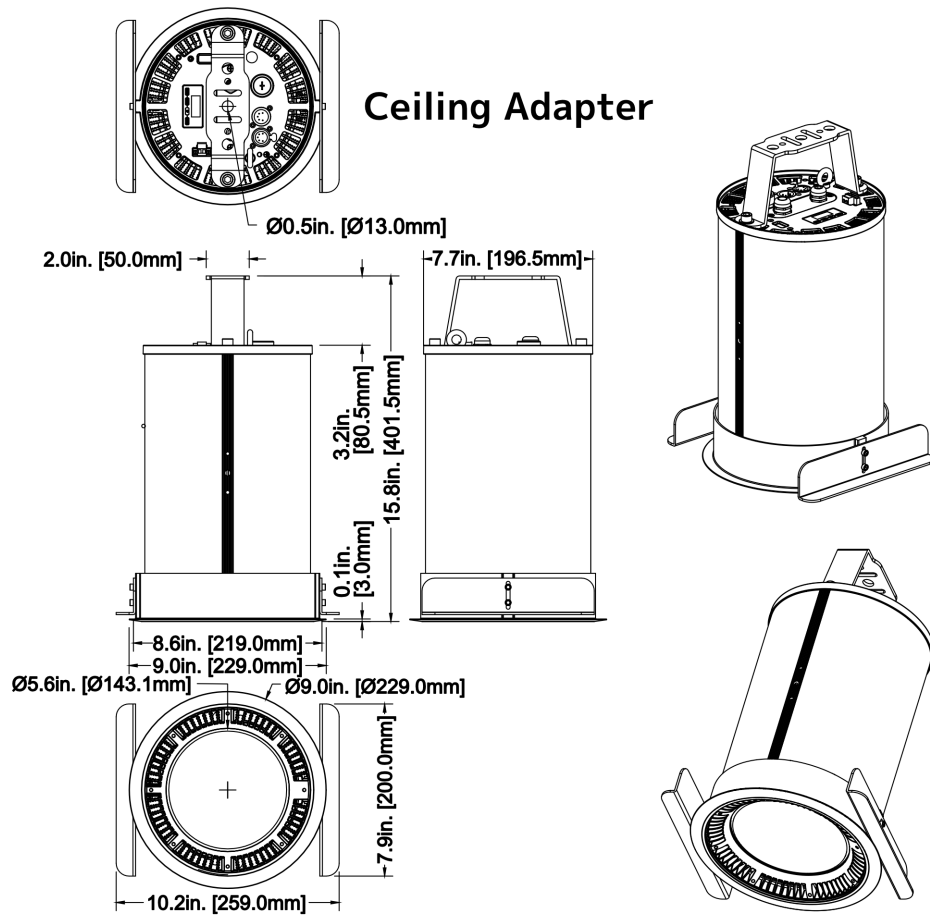
Ø5.6in. [Ø143.1mm]



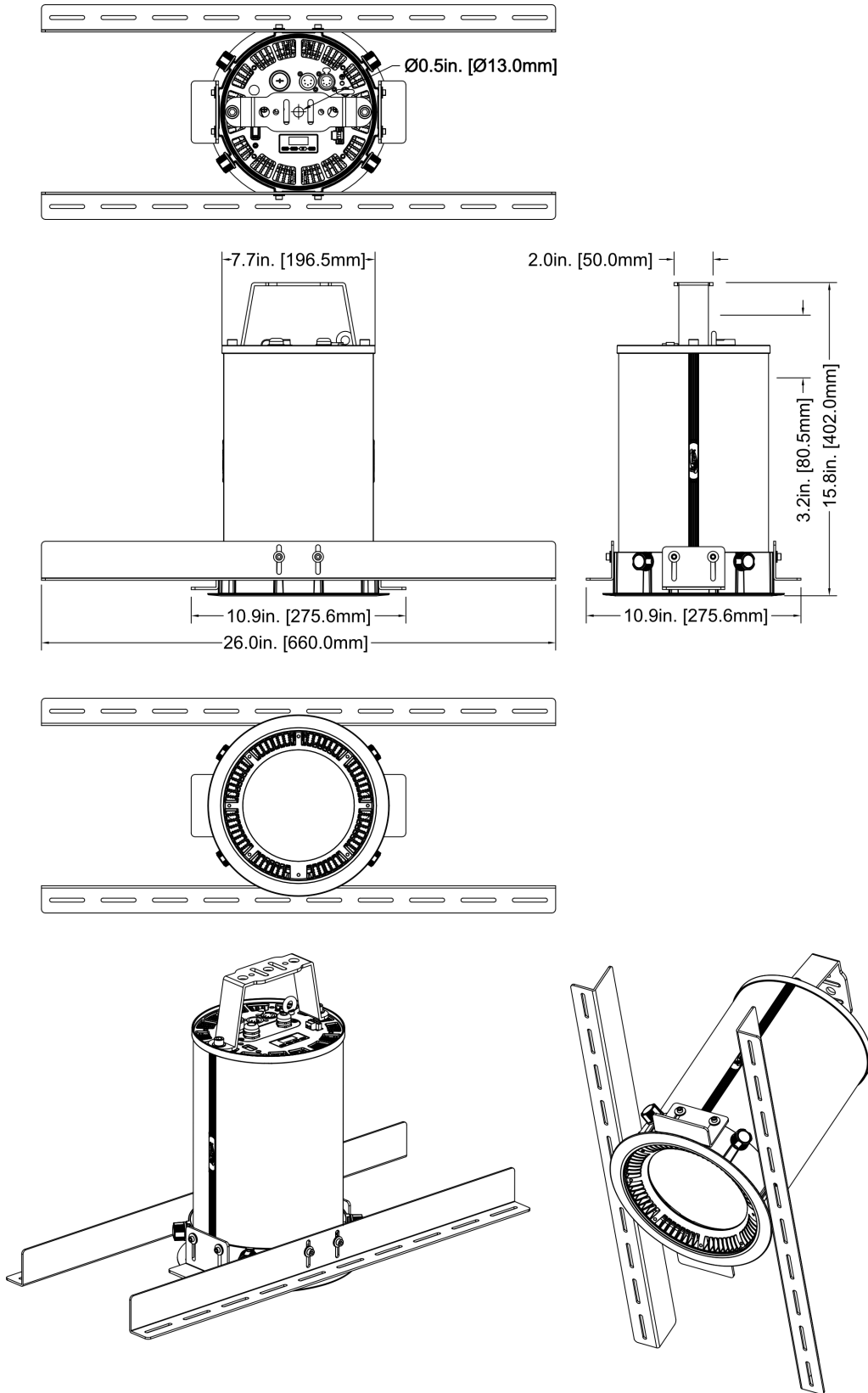
Ø7.8in. [Ø197.0mm]

Ø5.6in. [Ø143.1mm]

DIMENSIONS



DIMENSIONS



OPTIONAL ACCESSORIES

SKU (USA)	SKU (EU)	ITEM
FPL25	1237000229	Fuze Pendant Lens 25°
FPL40	1237000243	Fuze Pendant Lens 40°
FPL50	1237000228	Fuze Pendant Lens 50°
FPL100	1237000269	Fuze Pendant Lens 100°
FPCMK	1237000244	Fuze Pendant Ceiling Mount Kit
FPYMK	1237000245	Fuze Pendant Yoke Mount Kit
FPHS	1237000246	Fuze Pendant Half Snoot
FPFS	1237000247	Fuze Pendant Full Snoot

FCC STATEMENT

This device complies with Part 15 of the FCC Rules. Operation is subject to the following two conditions: (1) this device may not cause harmful interference, and (2) this device must accept any interference received, including interference that may cause undesired operation.

FCC RADIO FREQUENCY INTERFERENCE WARNINGS & INSTRUCTIONS

This product has been tested and found to comply with the limits as per Part 15 of the FCC Rules. These limits are designed to provide reasonable protection against harmful interference in a residential installation. This device uses and can radiate radio frequency energy and, if not installed and used in accordance with the included instructions, may cause harmful interference to radio communications. However, there is no guarantee that interference will not occur in a particular installation. If this device does cause harmful interference to radio or television reception, which can be determined by turning the device off and on, the user is encouraged to try to correct the interference by one or more of the following methods:

- Reorient or relocate the device.
- Increase the separation between the device and the receiver.
- Connect the device to an electrical outlet on a circuit different from which the radio receiver is connected.
- Consult the dealer or an experienced radio/TV technician for help.



